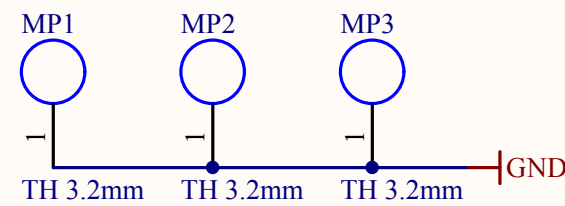
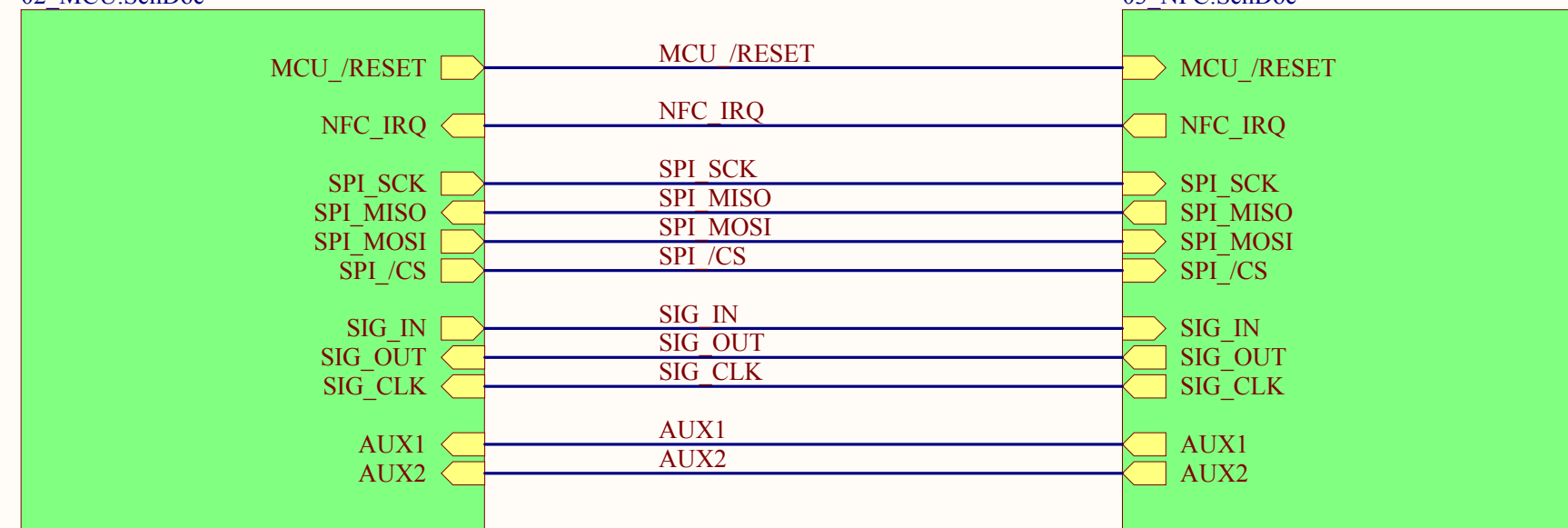
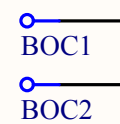


U_02_MCU
02_MCU.SchDoc

U_03_NFC
03_NFC.SchDoc

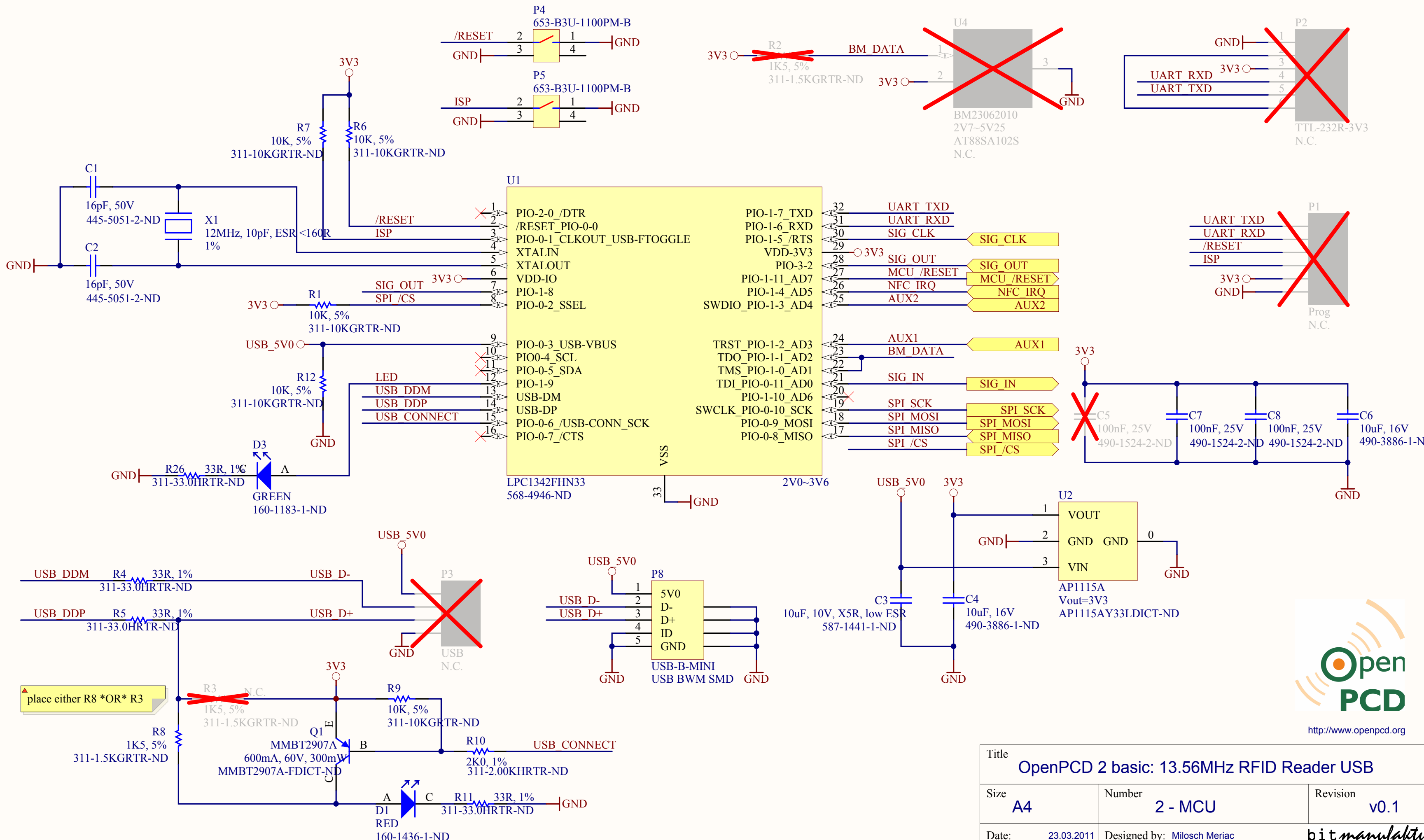


Board Offset Correcture



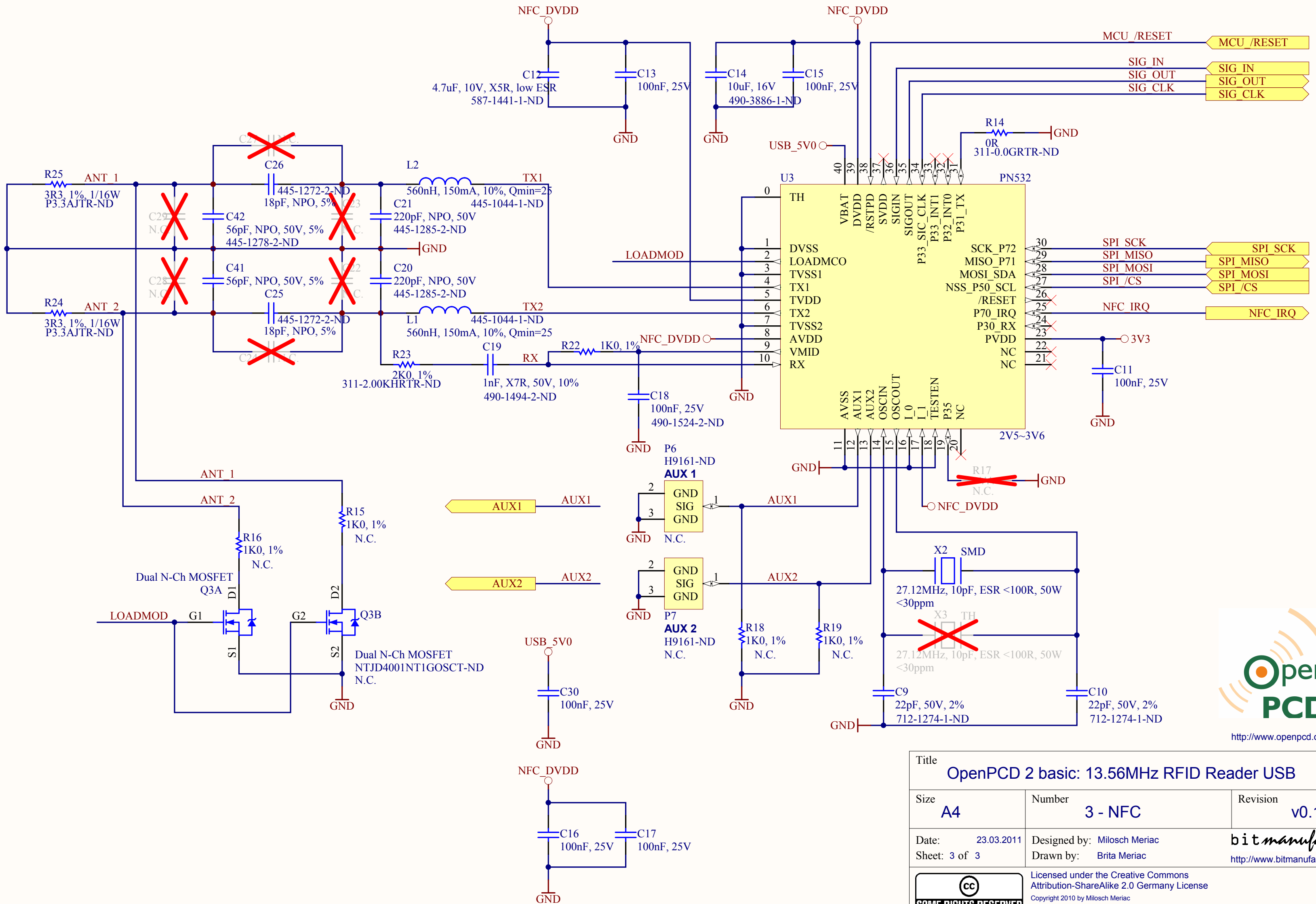
<http://www.openpcd.org>

Title OpenPCD 2 basic: 13.56MHz RFID Reader USB		
Size A4	Number 1 - TOP	Revision v0.1
Date: 23.03.2011 Sheet: 1 of 3	Designed by: Milosch Meriac Drawn by: Brita Meriac	bitmanufaktur http://www.bitmanufaktur.de
		Licensed under the Creative Commons Attribution-ShareAlike 2.0 Germany License Copyright 2010 by Milosch Meriac http://creativecommons.org/licenses/by-sa/2.0/de/deed.en



Title OpenPCD 2 basic: 13.56MHz RFID Reader USB		
Size A4	Number 2 - MCU	Revision v0.1
Date: 23.03.2011 Sheet: 2 of 3	Designed by: Milosch Meriac Drawn by: Brita Meriac	bitmanufaktur http://www.bitmanufaktur.de
		Licensed under the Creative Commons Attribution-ShareAlike 2.0 Germany License Copyright 2010 by Milosch Meriac http://creativecommons.org/licenses/by-sa/2.0/de/creativecommons

Antenna Loop 1
Antenna Loop 2



Title OpenPCD 2 basic: 13.56MHz RFID Reader USB		
Size A4	Number 3 - NFC	Revision v0.1
Date: 23.03.2011 Sheet: 3 of 3	Designed by: Milosch Meriac Drawn by: Brita Meriac	bitmanufaktur http://www.bitmanufaktur.de
 Licensed under the Creative Commons Attribution-ShareAlike 2.0 Germany License Copyright 2010 by Milosch Meriac http://creativecommons.org/licenses/by-sa/2.0/de/deed.en		